

### Item type

Chandelier

### Item name

Bellano

### Attention!

Turn off the electricity supply at the main circuit panel before installing.  
Do not connect the electricity supply until your luminaire is fully assembled and installed.

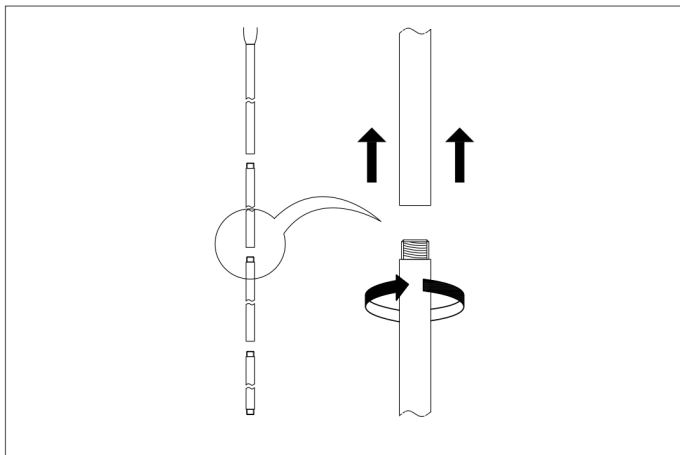
### Care instructions:

Wipe with a soft cloth, do not use chemicals or abrasive cleaning materials.

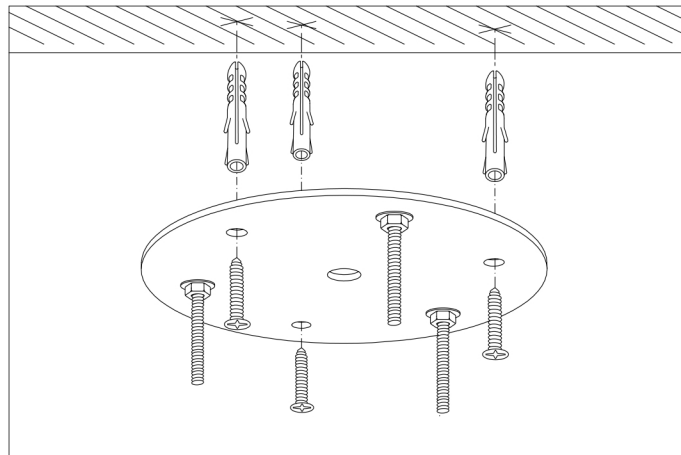
### Eichholtz B.V.

Delfweg 52  
2211 VN Noordwijkerhout  
The Netherlands

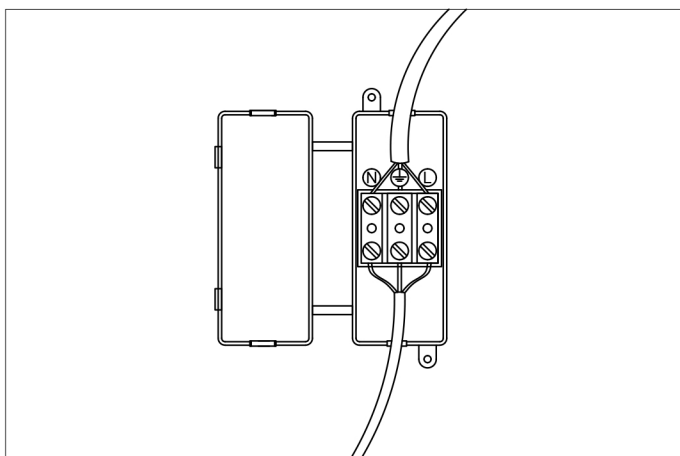
🏠 [www.eichholtz.com](http://www.eichholtz.com)  
✉ [service@eichholtz.com](mailto:service@eichholtz.com)  
☎ +31 (0)252 515 850



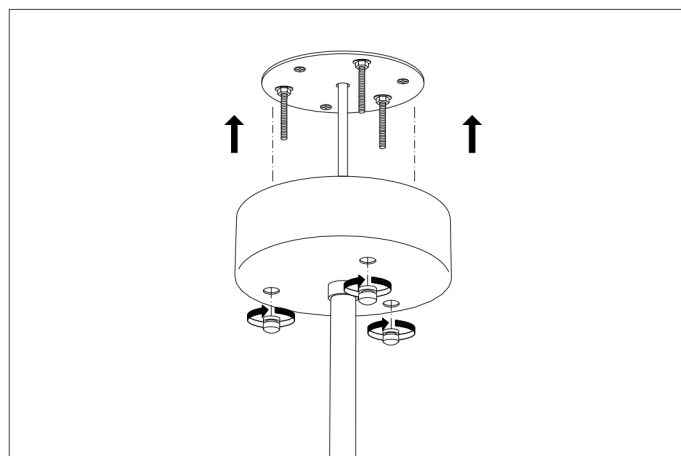
1. Determine the desired height of the lamp and use either one, two or three of the pipes supplied. Thread the wires through the pipes.



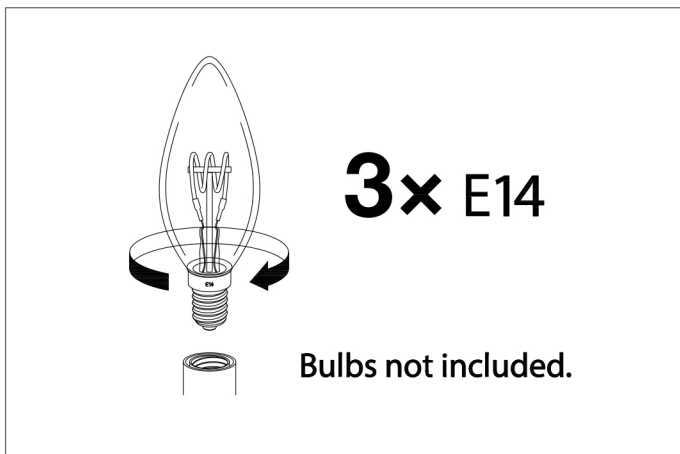
2. Fix the ceiling bracket to the ceiling by using mounting plugs and screws suitable to your ceiling type.



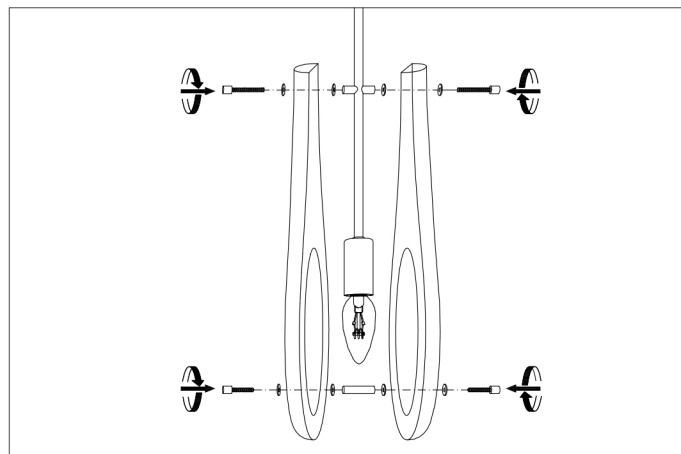
3. Connect the 3 power wires according to their colours. Brown is the live wire, blue is the neutral wire, green/yellow is the earth wire.



4. Place the ceiling canopy over the ceiling bracket and fix it with the three nuts.



5. Place the bulbs.



6. Hold the glass in position and fix the top first by using the longer screws. Now hold the cylinder between the two glass plates near the bottom and fix it with the two short screws.