

**Item type**

Floorlamp

**Item name**

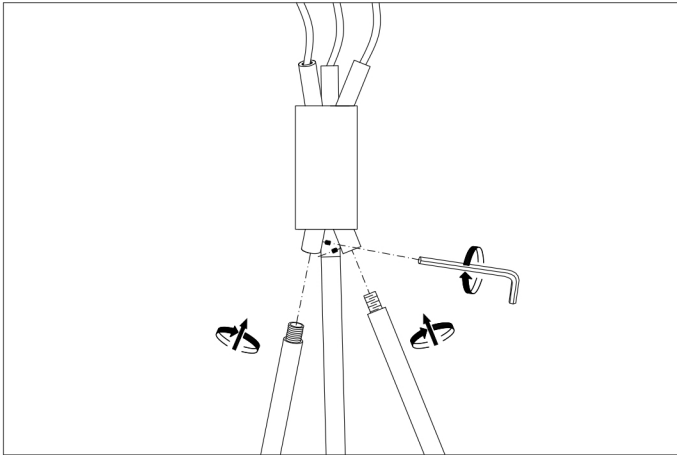
Costner

**Attention!**

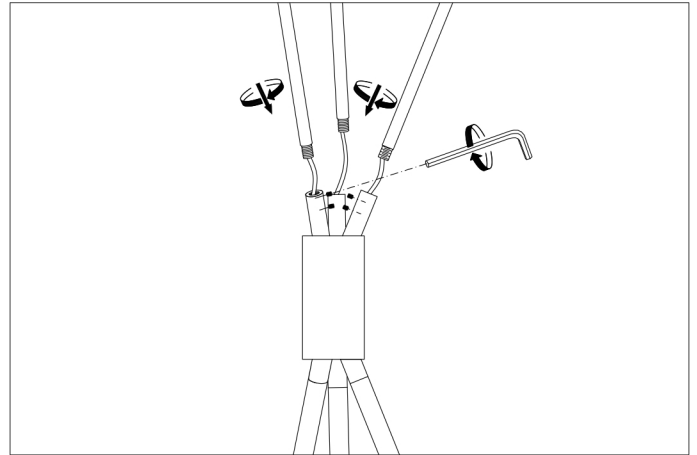
Do not connect your luminaire to electricity until its fully assembled.

**Care instructions:**

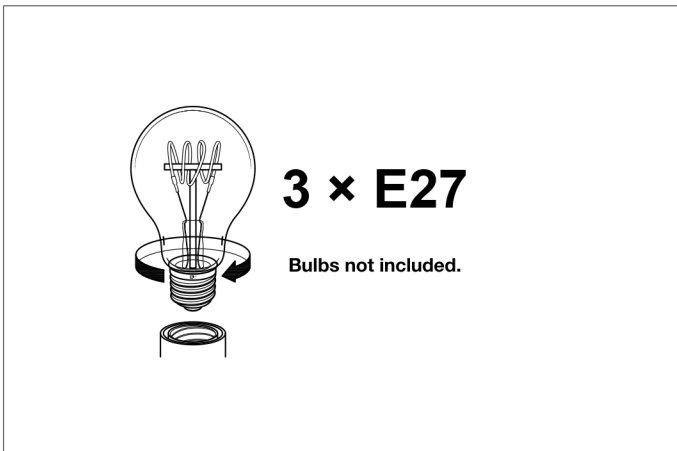
Wipe with a soft cloth, do not use chemicals or abrasive cleaning materials.

**Eichholtz B.V.**Delfweg 52  
2211 VN Noordwijkerhout  
The Netherlands🏠 [www.eichholtz.com](http://www.eichholtz.com)  
✉ [service@eichholtz.com](mailto:service@eichholtz.com)  
☎ +31 (0)252 515 850

1. Fix the two legs with the screws supplied.



2. Fix the three arms with the screws supplied.



3. Place the bulbs.