

Item type

Floor Lamp

Item name

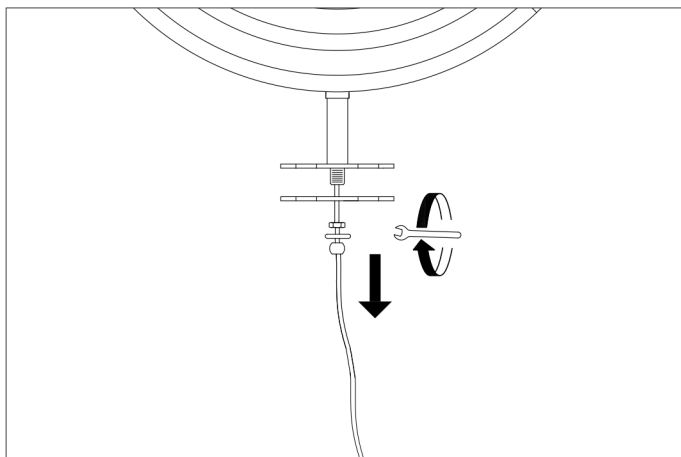
Cassini

Attention!

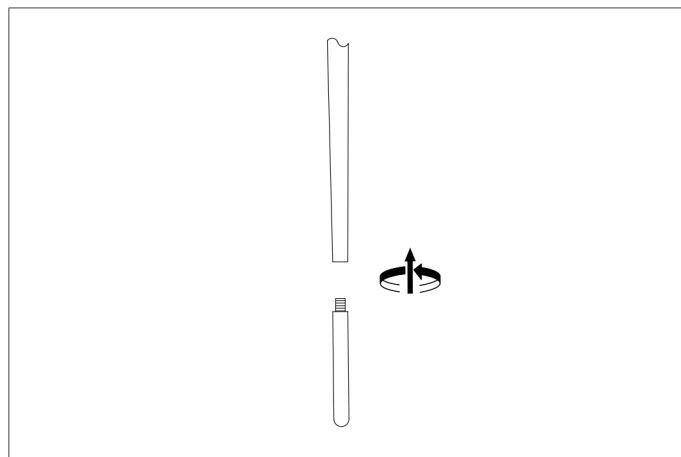
Do not connect your luminaire to electricity until it is fully assembled.

Care instructions:

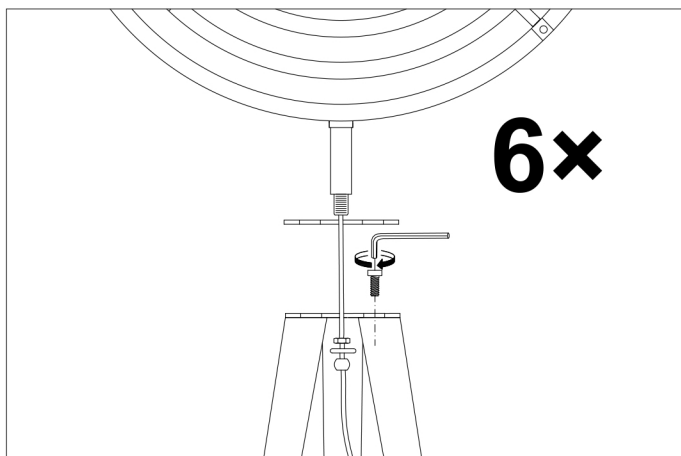
Wipe with a soft cloth, do not use chemicals or abrasive cleaning materials.

Eichholtz B.V.Delfweg 52
2211 VN Noordwijkerhout
The Netherlands🏠 www.eichholtz.com
✉ service@eichholtz.com
☎ +31 (0)252 515 850

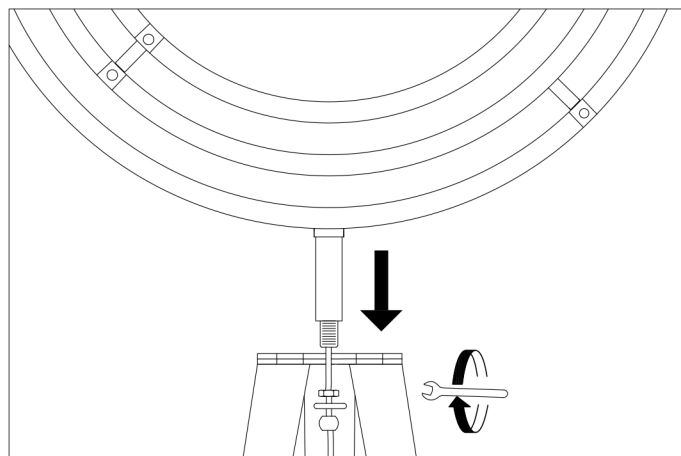
1. Loosen the finial and the nut and separate the two metal plates.



2. Complete the legs by screwing in the feet.



3. Connect the bottom metal plate to the legs with the bolts.



4. Place the center pipe through the metal sheets and fix it with the nut and the finial.