

JAMES SAID

SPECIFICATION SHEET

Item no.	111123
Item description	Chandelier Vittoria L nickel finish
Category	Lighting
Type	Pendants/Lanterns/Chandeliers



ITEM MEASUREMENTS

Dimensions (cm)	ø 80 x H. 89 cm
Dimensions (inch)	31.5" dia x 35.04" H
Net weight (kg)	67

SPECIFICATIONS

Material(s)	111123A: Iron 111123B: Glass Iron 111123C: Iron Glass 111123D: Iron Glass
Finish(es)/colour(s)	Clear glass nickel finish
Suitable for	Indoor use/dry locations only
Lamp holder type qty	E14 18
Hanging method length (cm)	Chain 150
Hanging method length (inch)	59,06
Switch	No
Dimmer	Not included
Wire type	3 x 0,75
Wire length (cm)	165
Wire length (inch)	64,96
Plug type	Not applicable
Max. wattage	40 watt
Assembly	This product requires assembly

PACKAGE INFORMATION (MTR/KG)

111123A - Chandelier Vittoria L nickel finish - Lamp - 1pc(s)

Package measurements	0,92 x 0,79 x 0,8
Volume	0,5814
Gross weight (kg)	16,40

111123B - Chandelier Vittoria L nickel finish - Glass 190 mm - 1pc(s)

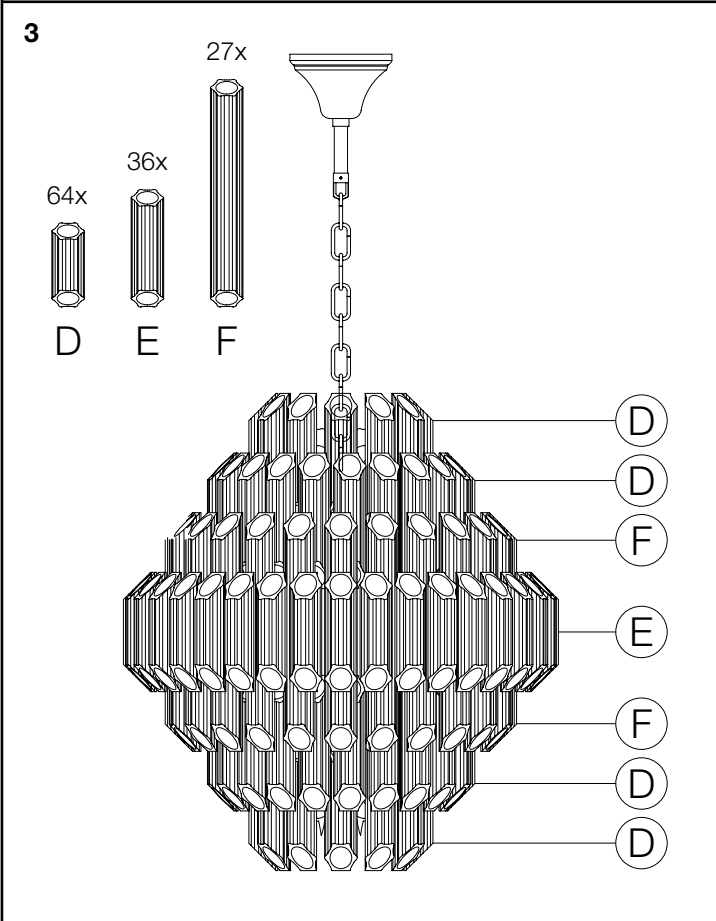
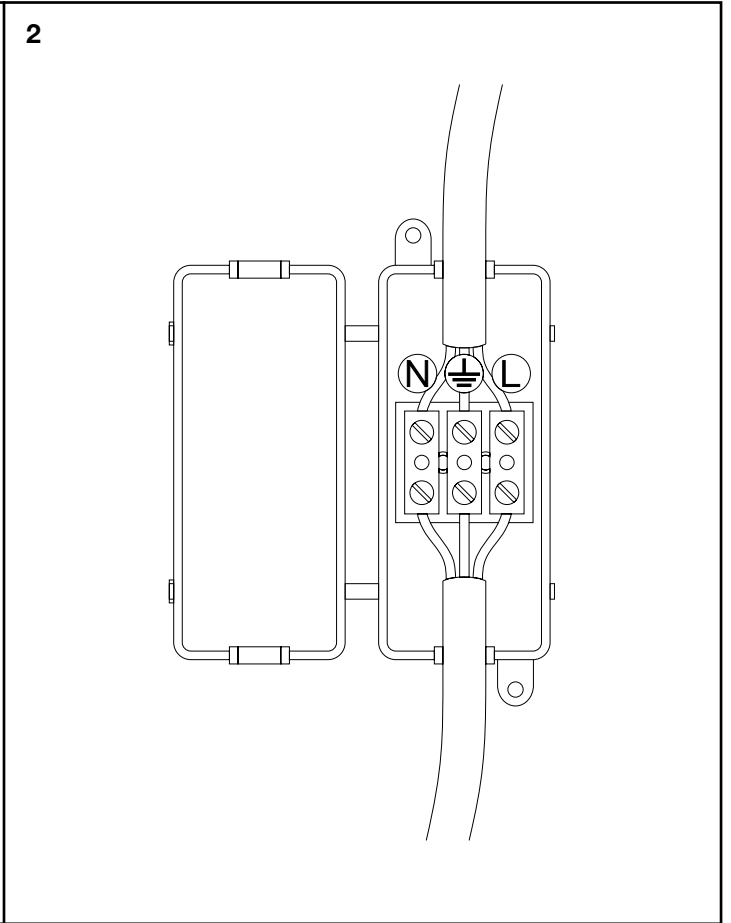
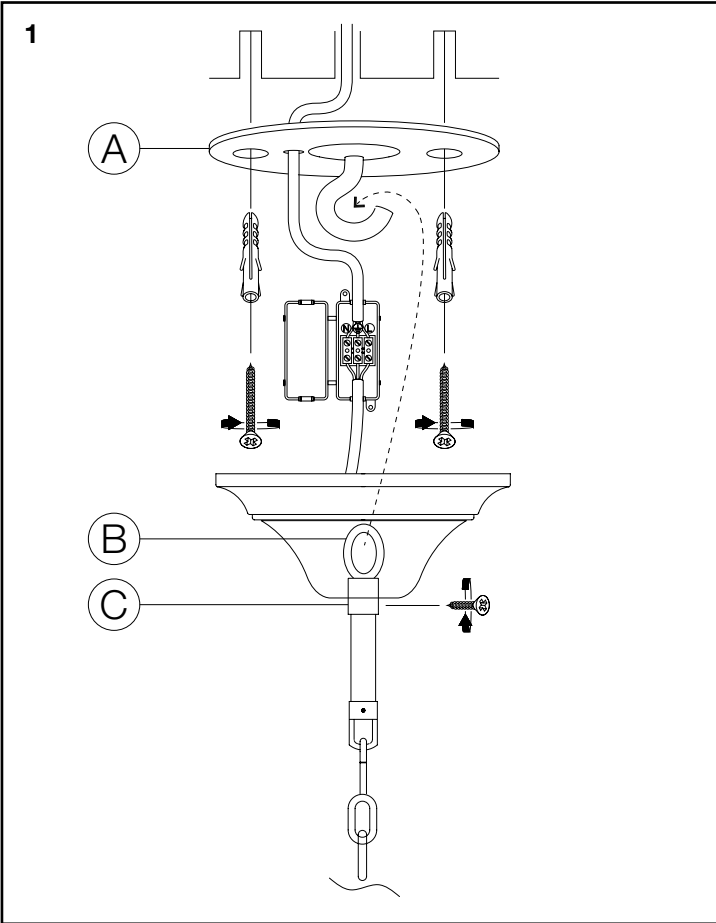
Package measurements	0,49 x 0,41 x 0,775
Volume	0,1557
Gross weight (kg)	23,40

111123C - Chandelier Vittoria L nickel finish - Glass 220 mm - 1pc(s)

Package measurements	0,585 x 0,55 x 0,415
Volume	0,1335
Gross weight (kg)	18,00

111123D - Chandelier Vittoria L nickel finish - Glass 440 mm - 1pc(s)

Package measurements	0,675 x 0,54 x 0,405
Volume	0,1476
Gross weight (kg)	25,00



Turn off the electricity supply at the main circuit panel before installing. Do not connect the electricity supply until your luminaire is fully assembled and installed.

Fix the ceiling plate (A) to the ceiling by using mounting plugs and screws suitable to your ceiling type. Make sure to lead the wire through the plate.

Hang the chandelier on the hook of the ceiling plate with the canopy (B) at the lowest position. Carefully lower the lamp until the chain is taut. Straighten the chain links.

Connect the 3 power wires according to their colours . Brown is the live wire, blue is the neutral wire, green/yellow is the earth wire.

Move the canopy up until it is flush with the ceiling, tighten it with the screw on the side (C).

Place the bulbs and finally unpack the glass decorations and screw them on to the frame carefully starting with the inner layers first.